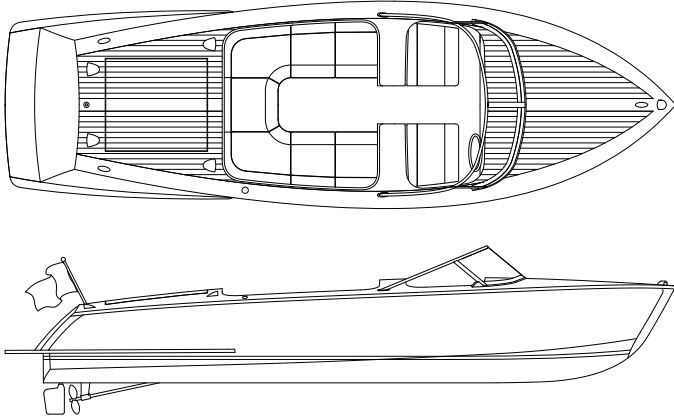
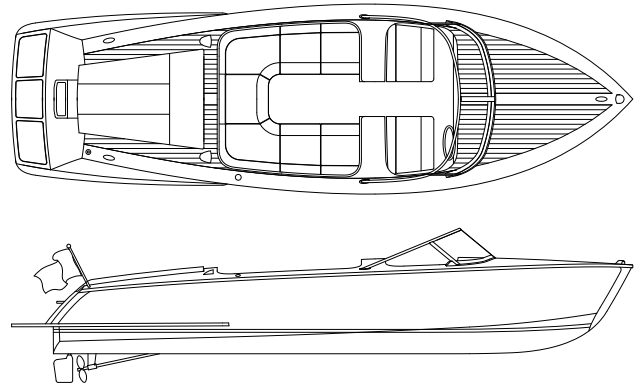


THE BURNHAM

featuring wooden engine hatch



featuring upholstered sunpad with transom steps



Length Overall	26' 4"
Beam	8'2"
Draft	24"
Freeboard Aft	30"
Freeboard Fore	33"
Weight	4,500 lbs
Frames	7/8" x 3"
Bottom	3/4" Triple Planked
Hullside	3/4" Triple Planked
Deck	1/2" Double Planked
Engine	Ilmor 6.2L 430HP V8
Seating	8
Fuel Capacity	54 Gallon
Hydraulic Steering	Standard
Auto Bilge Pump	Standard
Chrome Exhaust Tube	Standard
Bilge Blower	Standard
Canvas Bimini Top	N/A
Hardtop	N/A
Navigation System	Optional
Custom Interior	Optional
Bow Thruster	Standard
Swim Platform	Standard
Premium Sound System	Standard